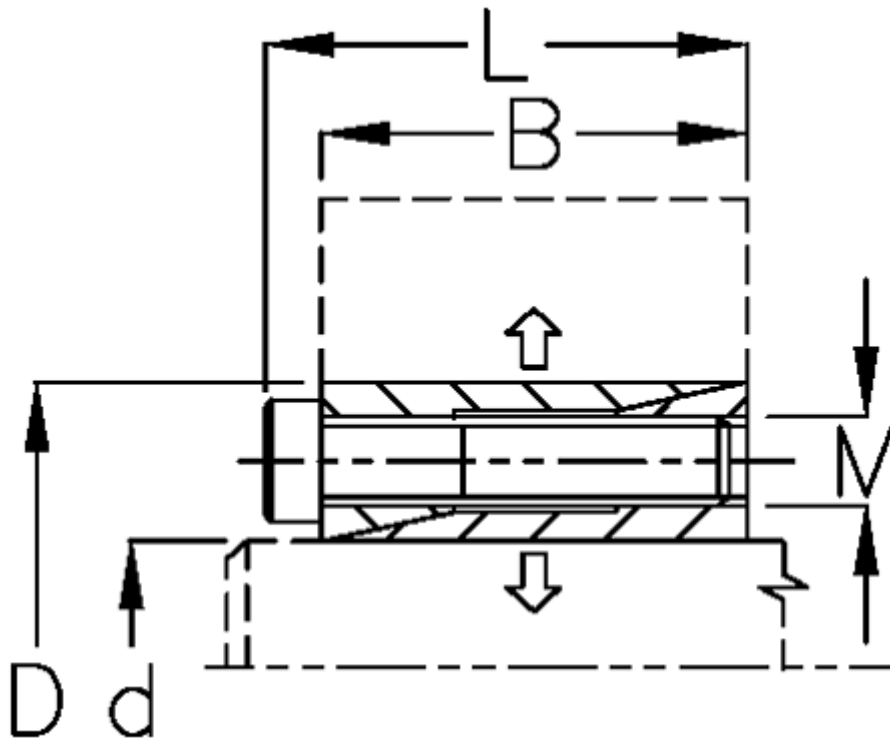


Article number: 435700040

Description: Rota-fix shaft-hub connection K 40x65

Note: Self centering. Medium torque

## Measures



B mm	= 31
d mm	= 40.00
D mm	= 65
Fit tolerance	= Aksel h8, Nav H8
F kN torque	= 40.0
L mm	= 37.0
M mm	= M6
P N/mm <sup>2</sup> surface pressure on shaft/hub	= 90

Surface roughness	= R? ? 3.2 µm
T N m torque	= 840
Ts N m bolt tightening torque	= 16.5